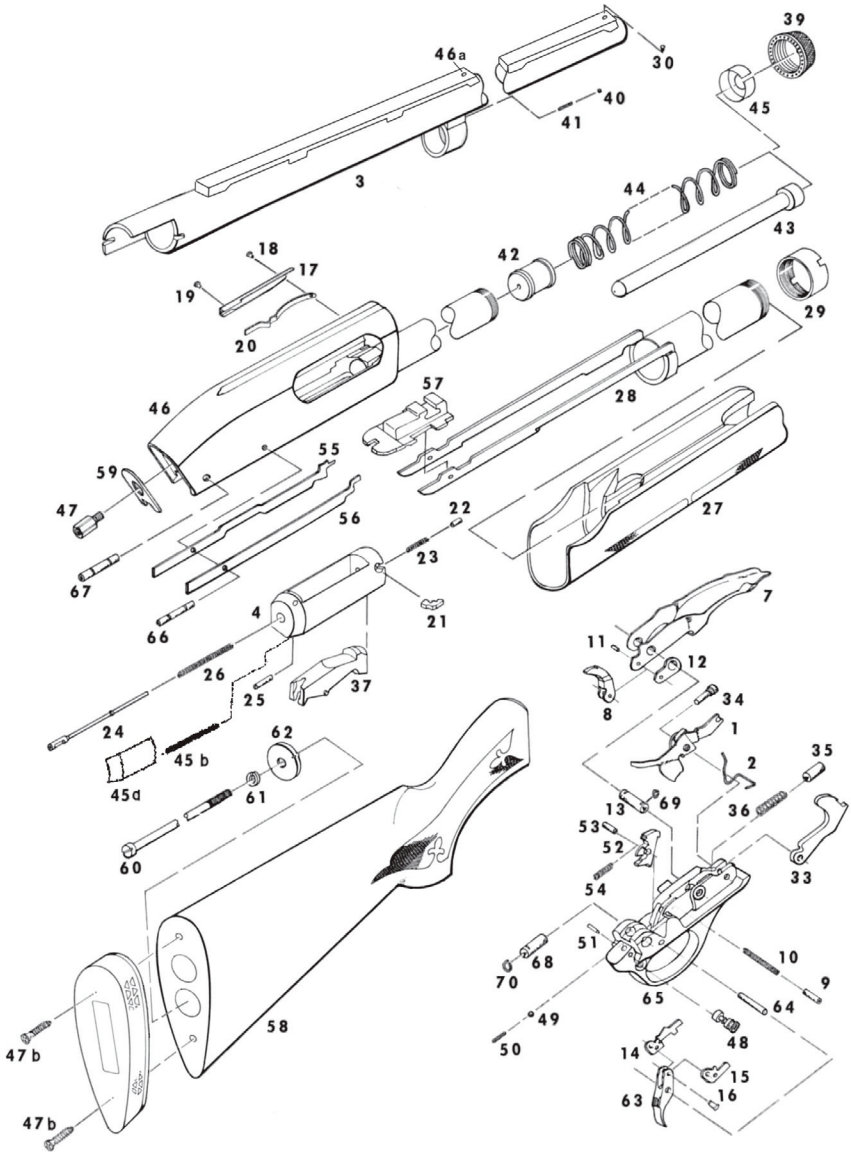


MODEL 870™

Pump Action Shotgun



MODEL 870™

Pump Action Shotgun

PARTS LIST

VIEW NO.	PART NAME	VIEW NO.	PART NAME
NOTE: 12 Ga. Express Super Magnum Listed Below			
1	Action Bar Lock	42	Magazine Follower
2	Action Bar Lock Spring	43	Magazine Plug, 3-Shot
NOTE: All barrels (same gauge) are interchangeable without adjustment.			
3	Barrel Assembly*	44	Magazine Spring
4	Breech Bolt *	45	Magazine Spring Retainer
	Breech Bolt Assembly*	45a	Port Cover*
7	Carrier*	45b	Port Cover Spring*
	Carrier Assembly*	46	Receiver Assembly (Restricted)*
8	Carrier Dog	46a	Middle Sight
9	Carrier Dog Follower	47	Receiver Stud
10	Carrier Dog Follower Spring	47b	Recoil Pad Screw
11	Carrier Dog Pin	48	Safety Mechanism
12	Carrier Dog Washer	49	Safety Mechanism Detent Ball
13	Carrier Pivot Tube	50	Safety Mechanism Spring
14	Connector, Left	51	Safety Mechanism Spring Retaining Pin
15	Connector, Right	52	Sear
16	Connector Pin	53	Sear Pin
17	Ejector*	54	Sear Spring
18	Ejector Rivet, Front	55	Shell Latch, Left*
19	Ejector Rivet, Rear	56	Shell Latch, Right*
20	Ejector Spring*	57	Slide Assembly*
21	Extractor*	58	Stock Assembly*
22	Extractor Plunger	59	Stock Bearing Plate
23	Extractor Spring	60	Stock Bolt
24	Firing Pin	61	Stock Bolt Lock Washer
25	Firing Pin Retaining Pin	62	Stock Bolt Washer
26	Firing Pin Retractor Spring	63	Trigger Assembly (Restricted)
	Fore-end (Wood Only)*	64	Trigger Pin
27	Fore-end Assembly*	65	Trigger Plate, R.H. Safety Mechanism (Restricted)*
28	Fore-end Tube Assembly		Trigger Plate, L.H. Safety Mechanism (Restricted)*
29	Fore-end Tube Nut		Trigger Plate Assembly, R.H. Safety Mechanism*
30	Front Sight		Trigger Plate Assembly, L.H. Safety Mechanism*
33	Hammer		Mechanism*
34	Hammer Pin	66	Trigger Plate Pin, Front
	Hammer Pin Washer	67	Trigger Plate Pin, Rear
35	Hammer Plunger	68	Trigger Plate Pin Bushing
36	Hammer Spring	69	Trigger Plate Pin Detent Spring, Front
37	Locking Block Assembly*	70	Trigger Plate Pin Detent Spring, Rear
	Locking Block Assembly (Oversize)*	Note: Parts marked with (*) are for use on Model 870 Super Magnum <u>ONLY</u> and are not interchangeable with any other Model 870:	
	Locking Block Retainer		
39	Magazine Cap		
40	Magazine Cap Detent		
41	Magazine Cap Detent Spring		